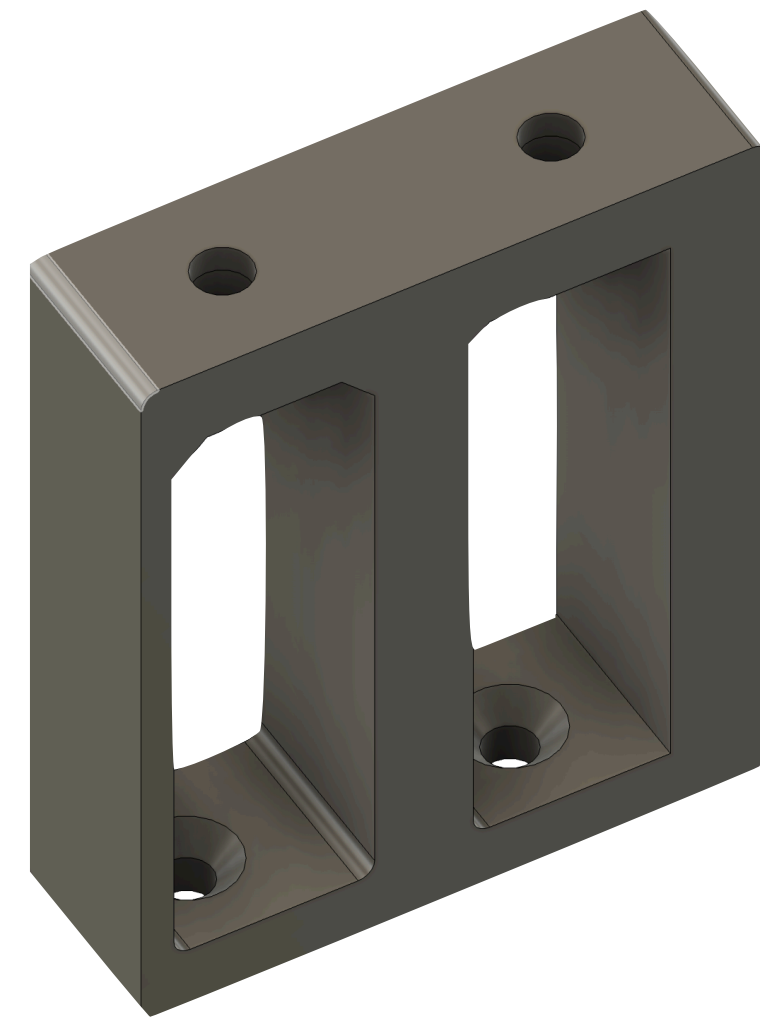
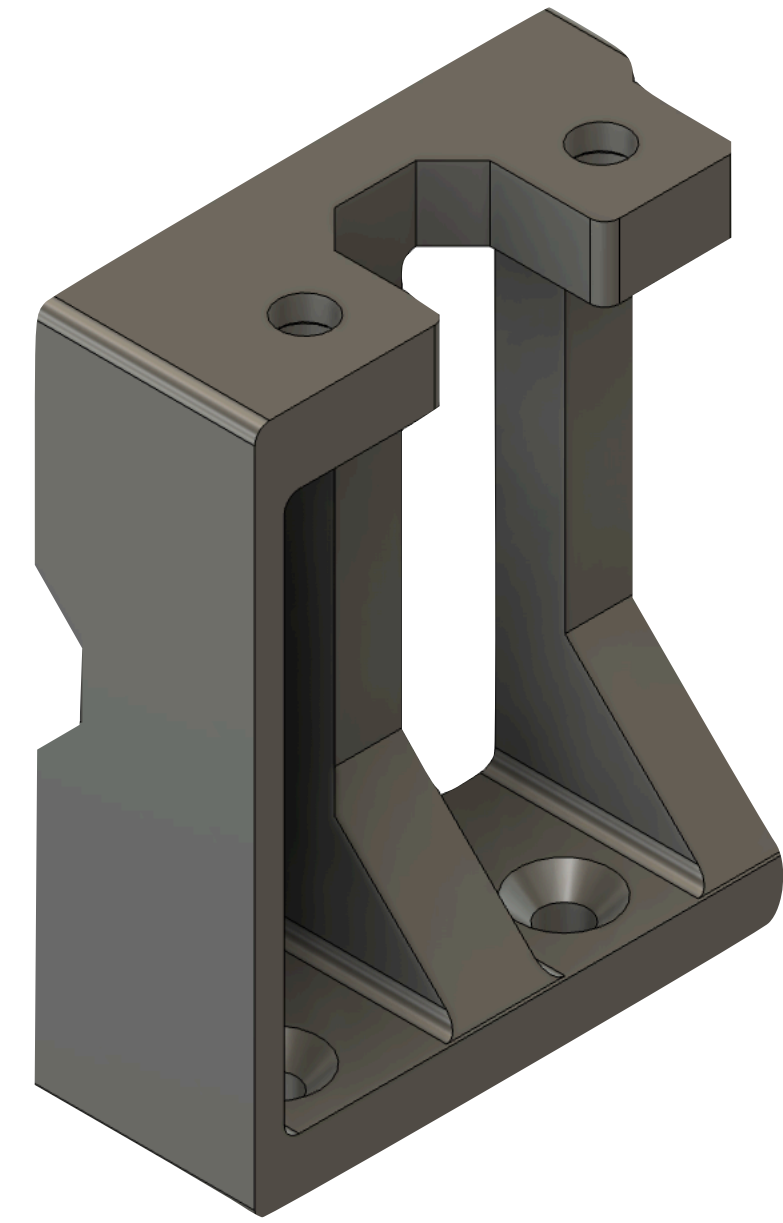
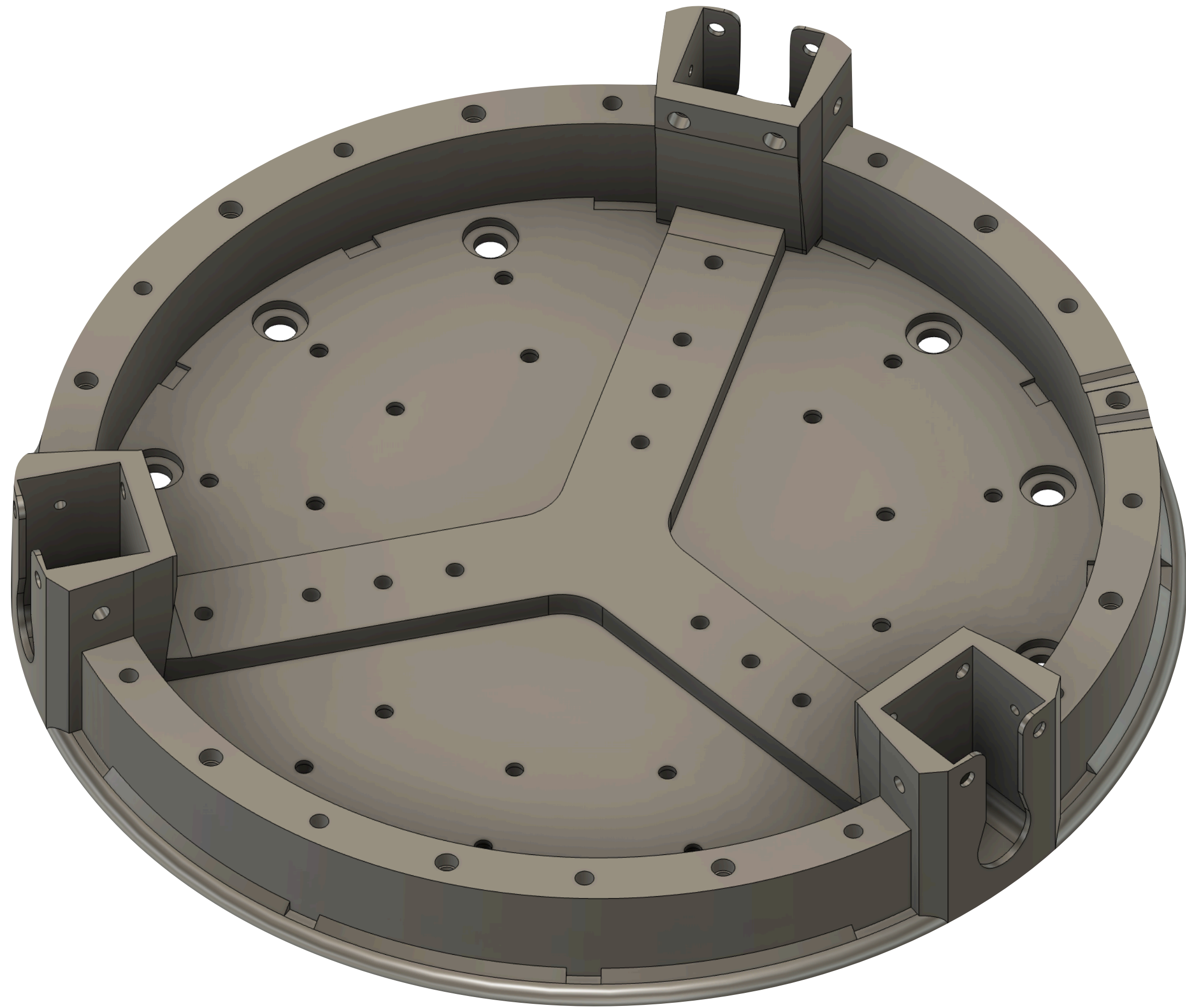


StageBot Fabrication

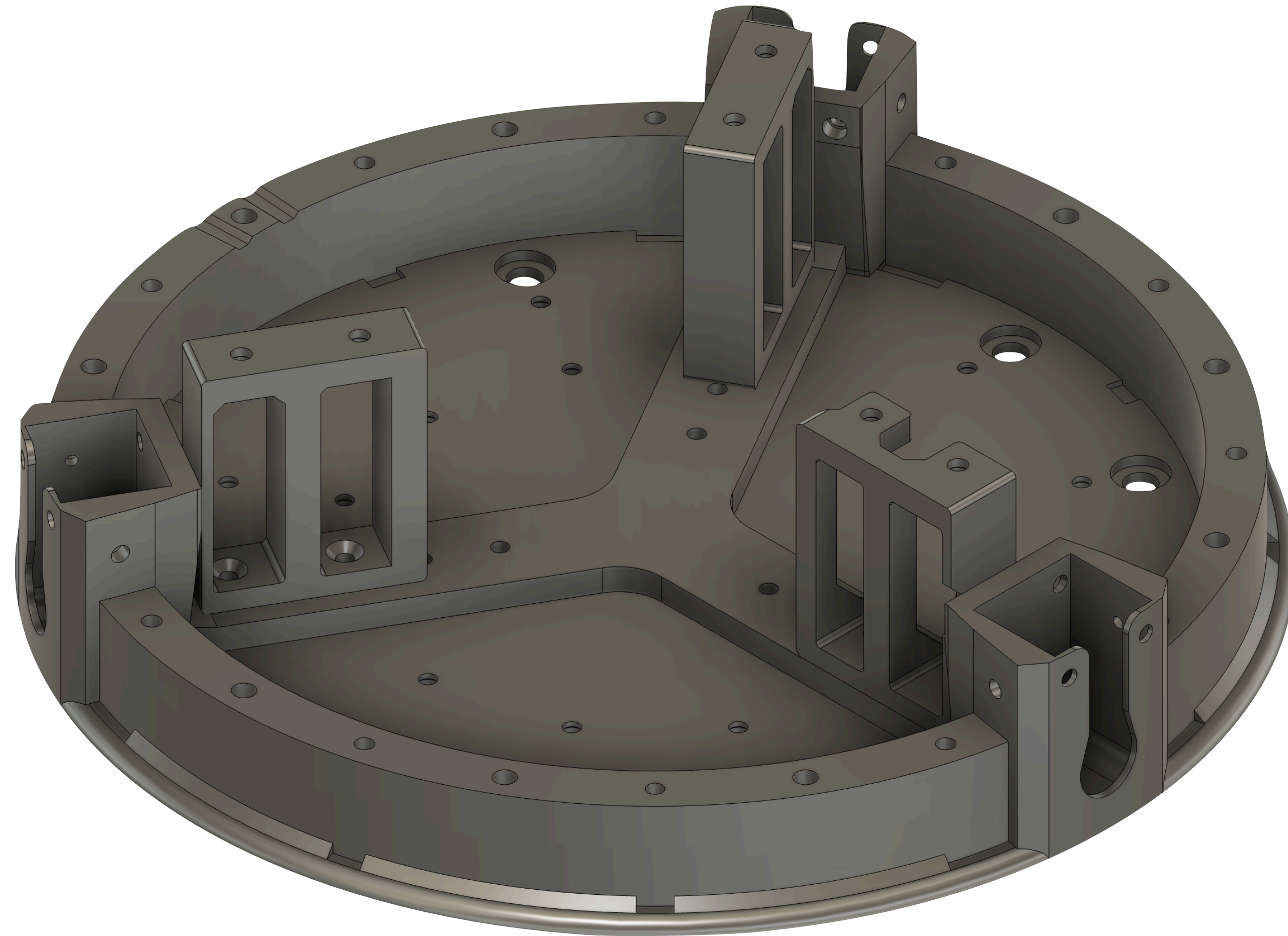
Select Parts and Assembly Illustrations

Version: 2025-03-27-00

Base and Risers



Assembly: Base and Risers



Top Plates

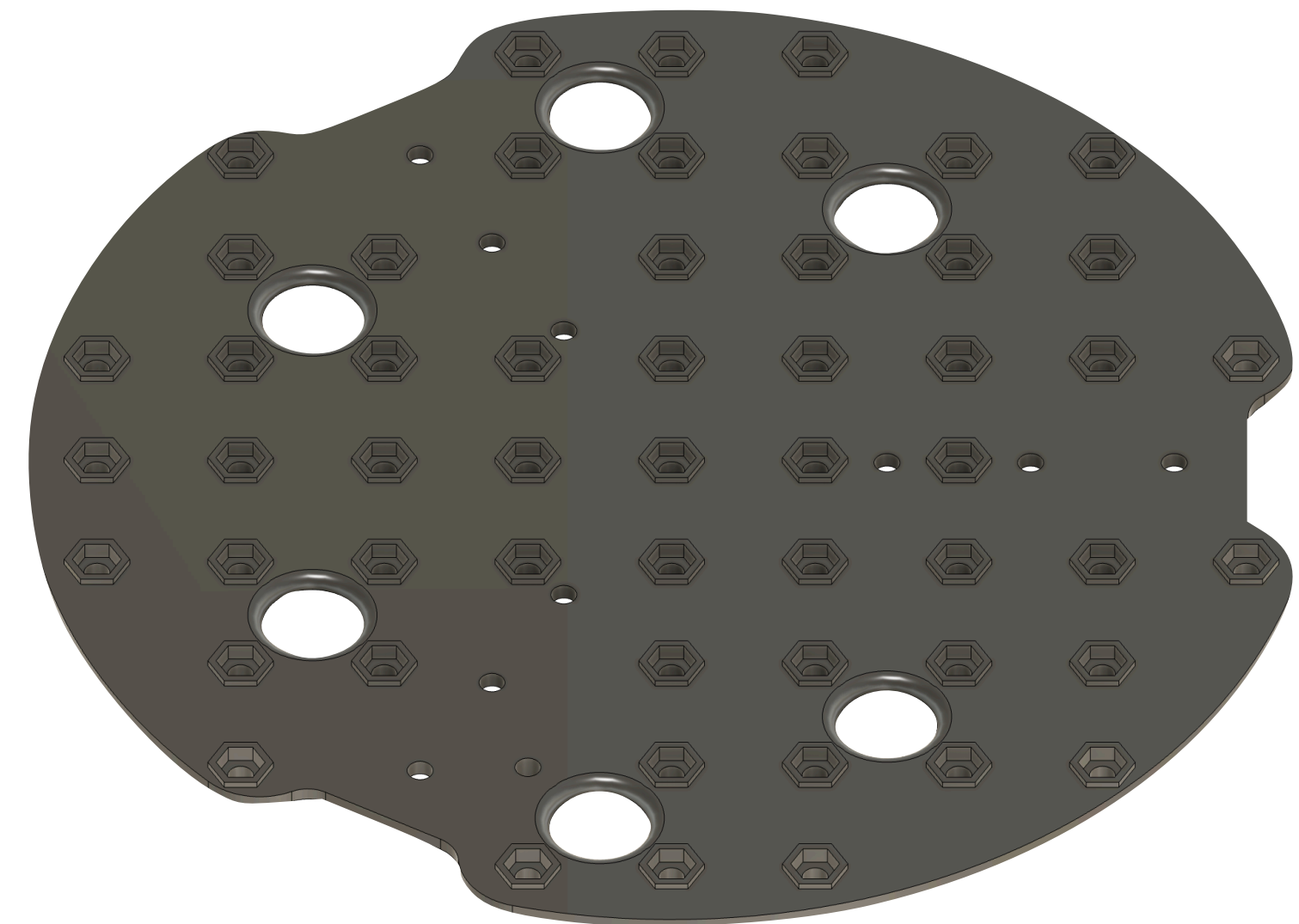


Two versions, which appear the same on the top, but are different on the bottom.

The **M3 Hex Nut Version** is more useful, as it does not require heat-set threaded inserts to be added.

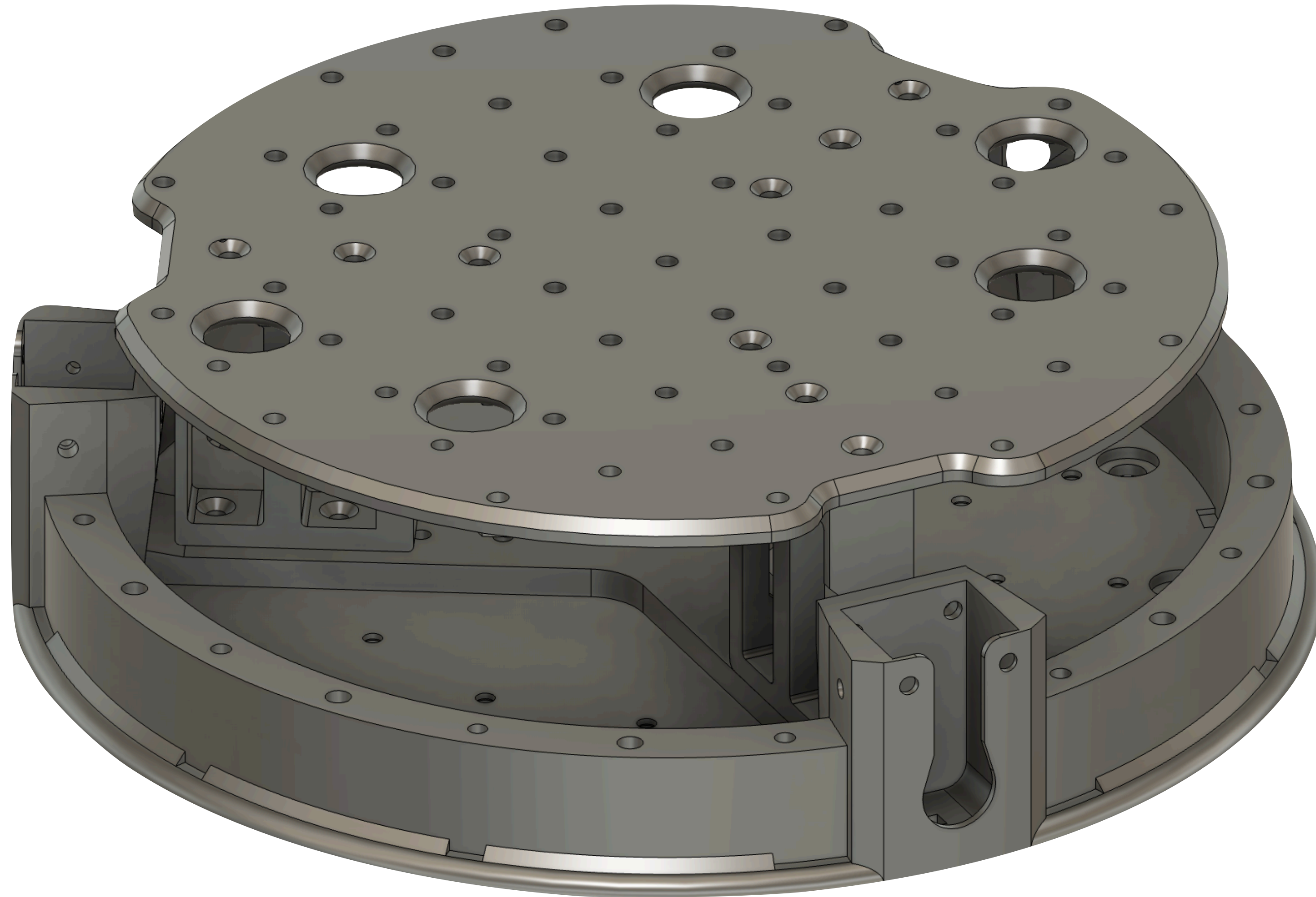


M3 Threaded Insert Version



M3 Hex Nut Version

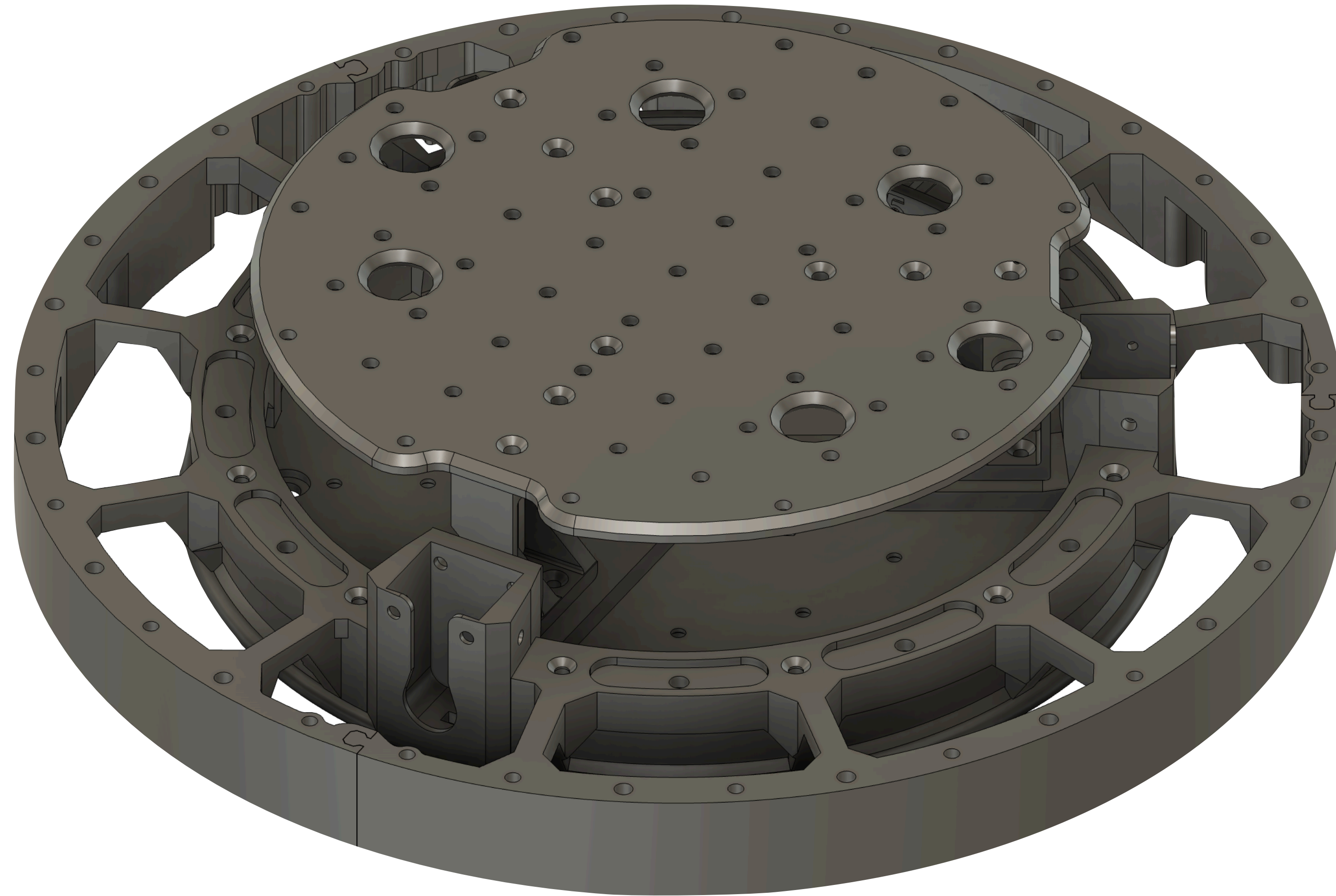
Assembly: Base, Risers, and Top Plate



Extension Rings

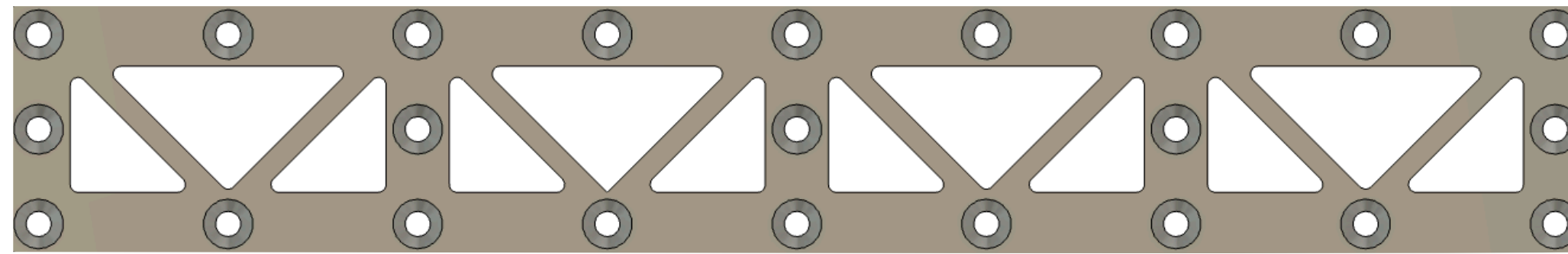


Assembly: Base, Risers, Top Plate, Extension Rings

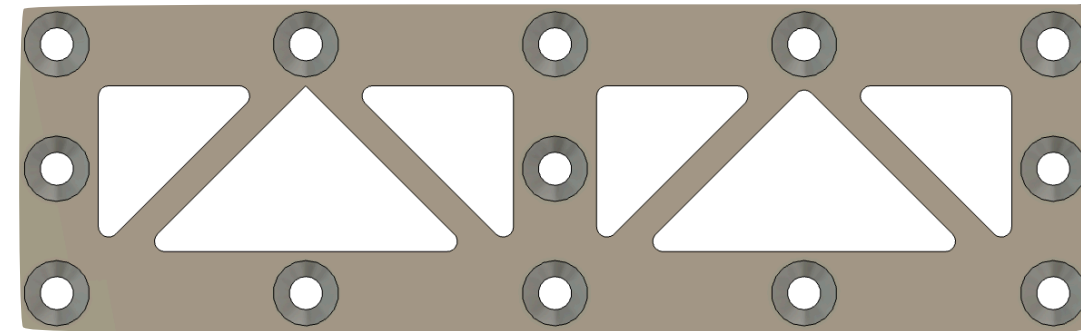


M2 & M3 Truss Segments

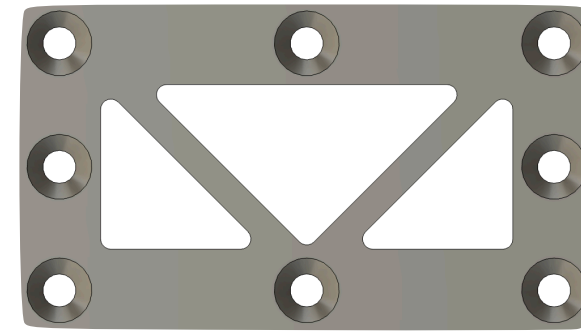
M3 x 200mm



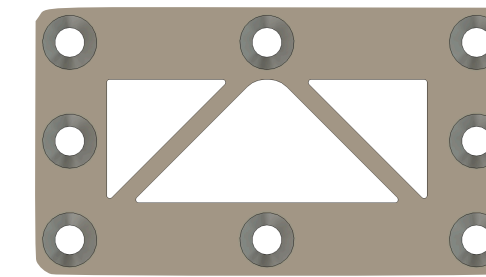
M3 x 104mm



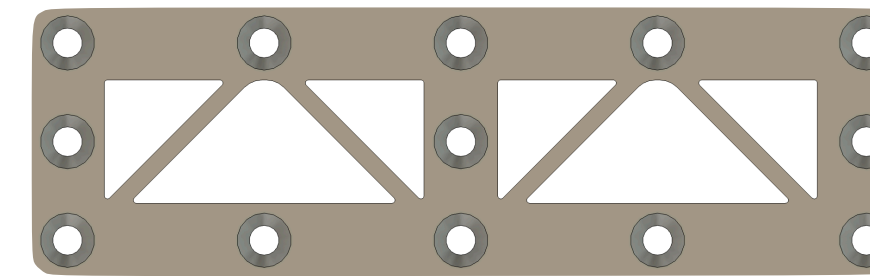
M3 x 56mm



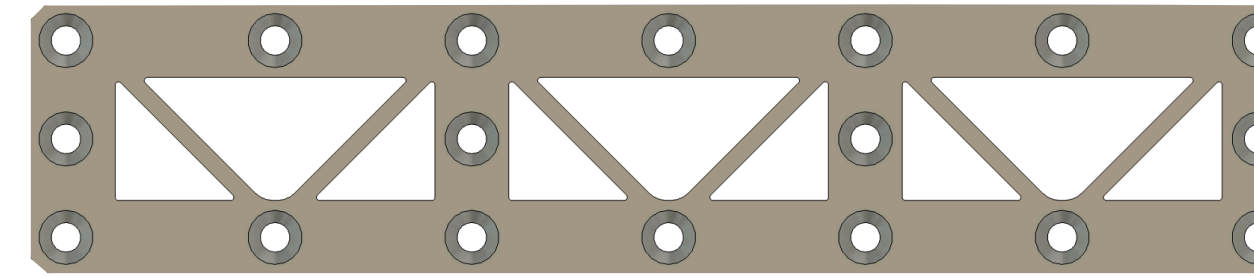
M2 x 39mm



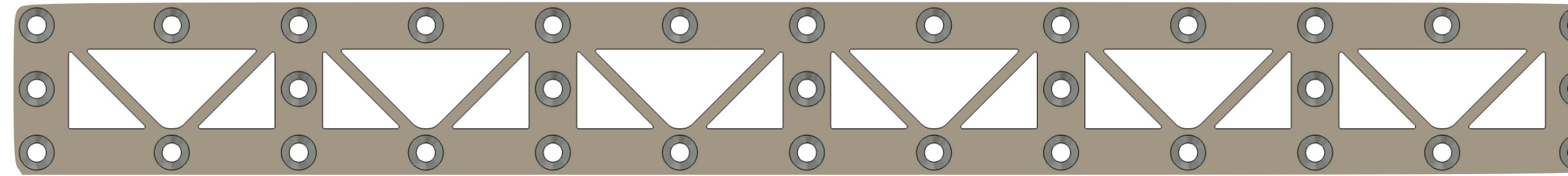
M2 x 71mm



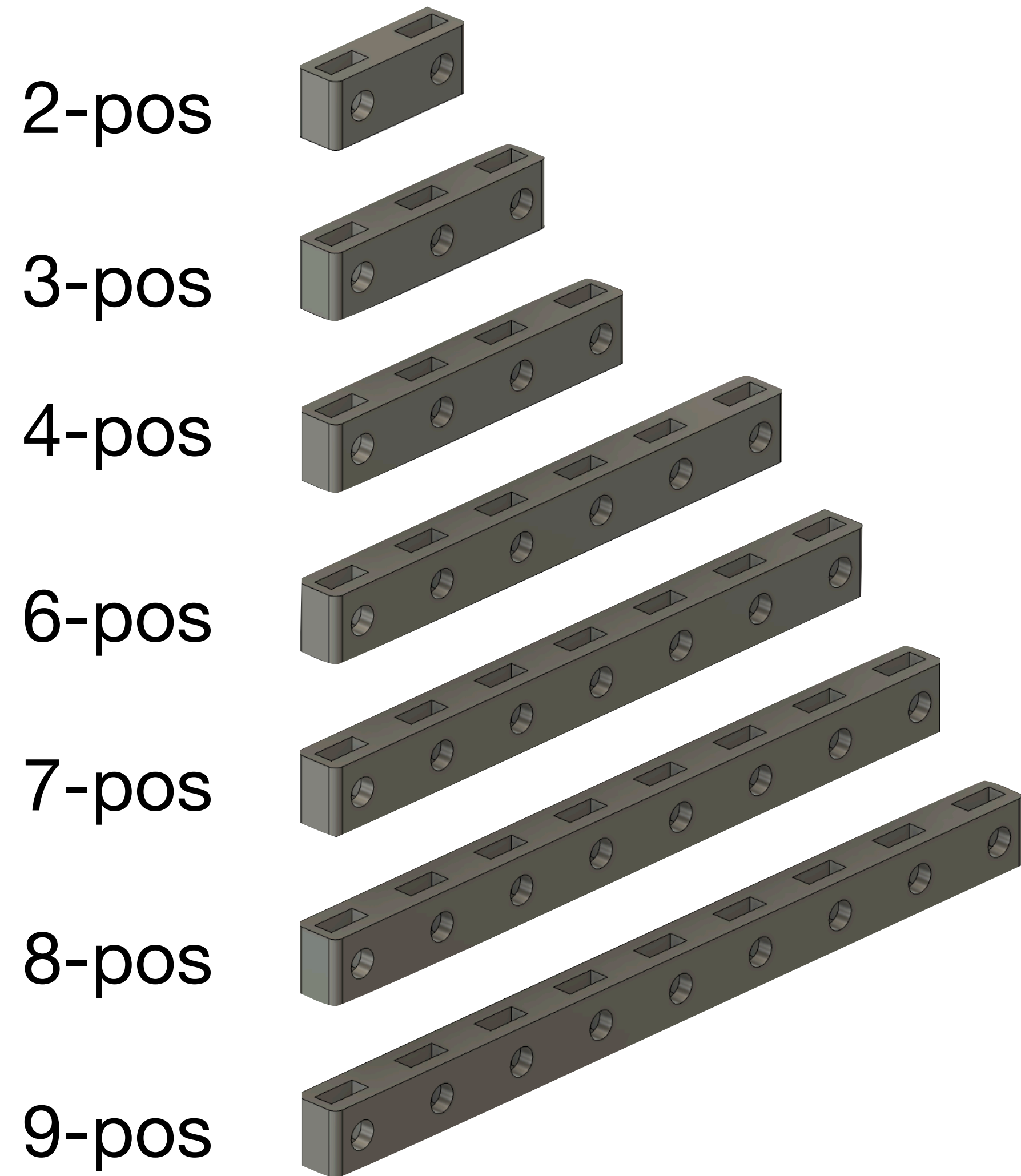
M2 x 103mm



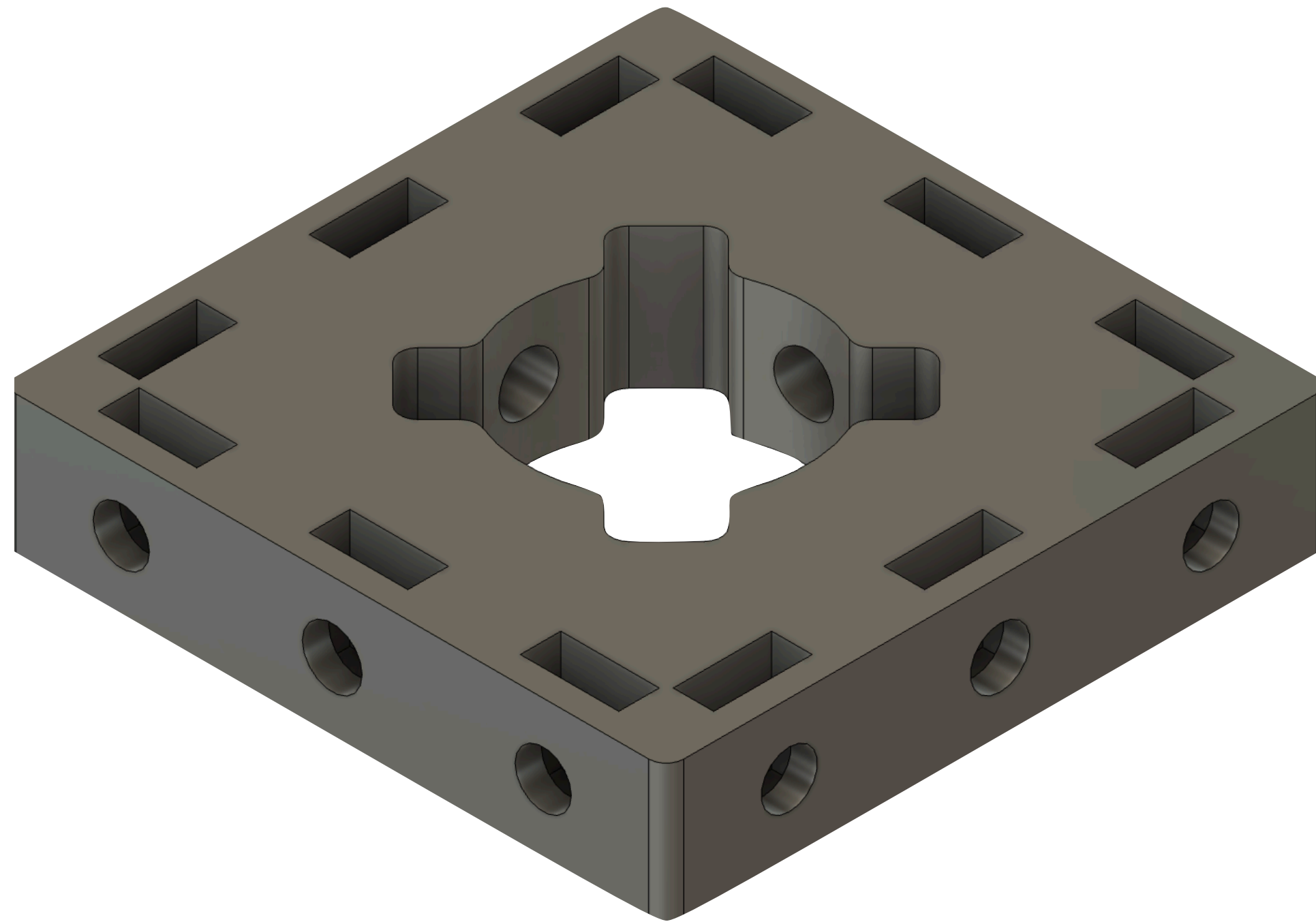
M2 x 200mm



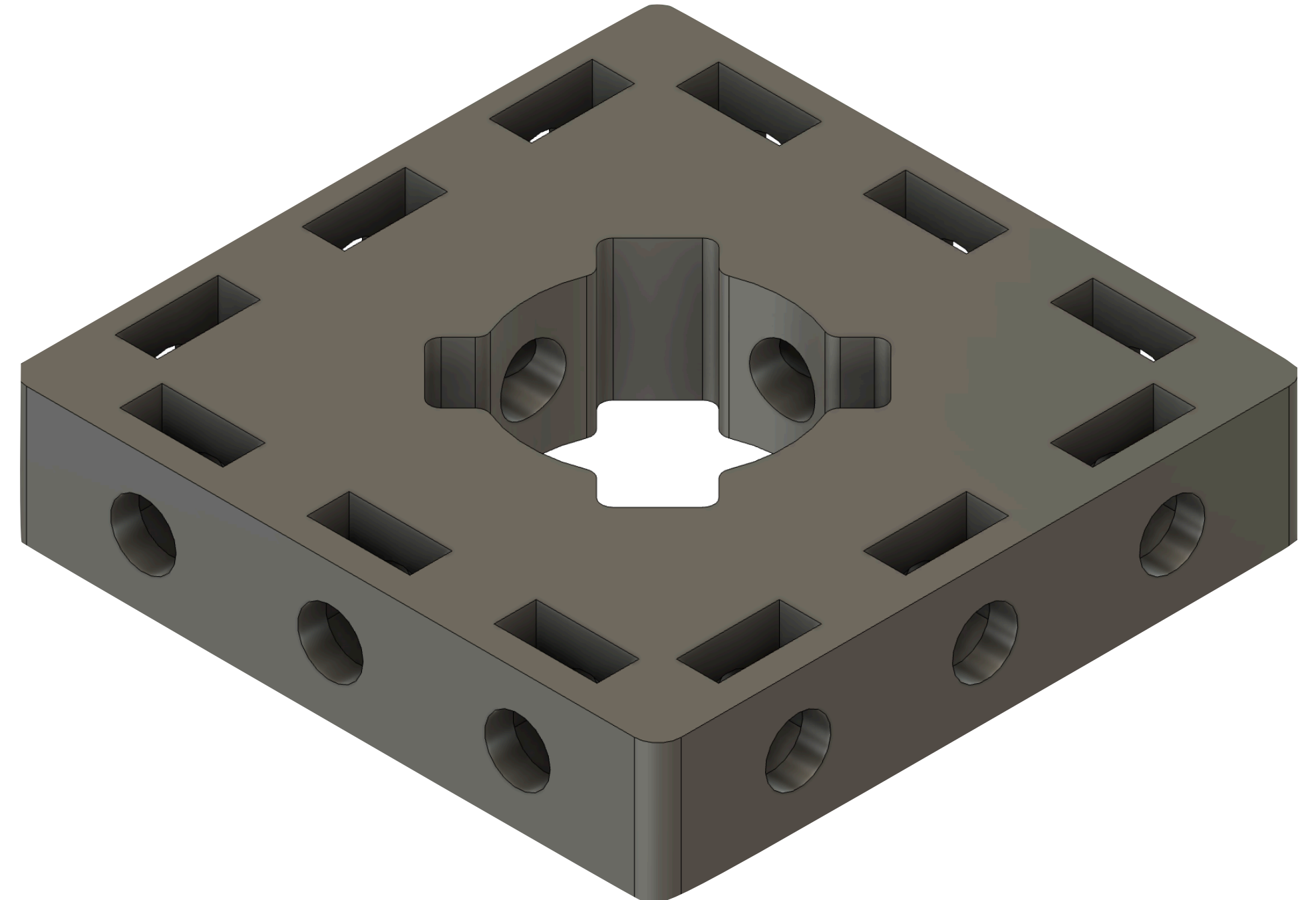
M3 Join Beams



M2 & M3 Truss Join Plates



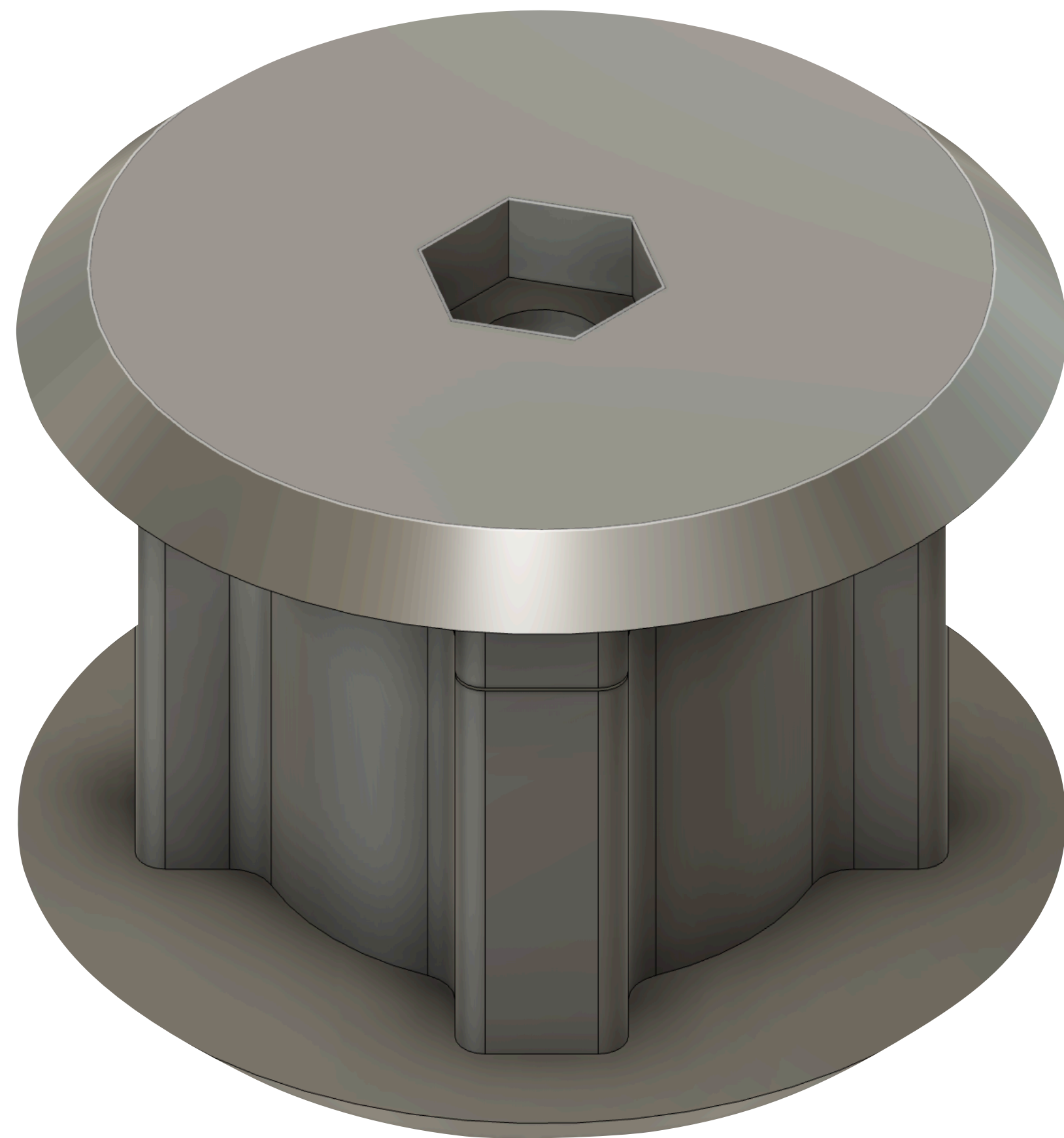
Uses M3 Square Nuts



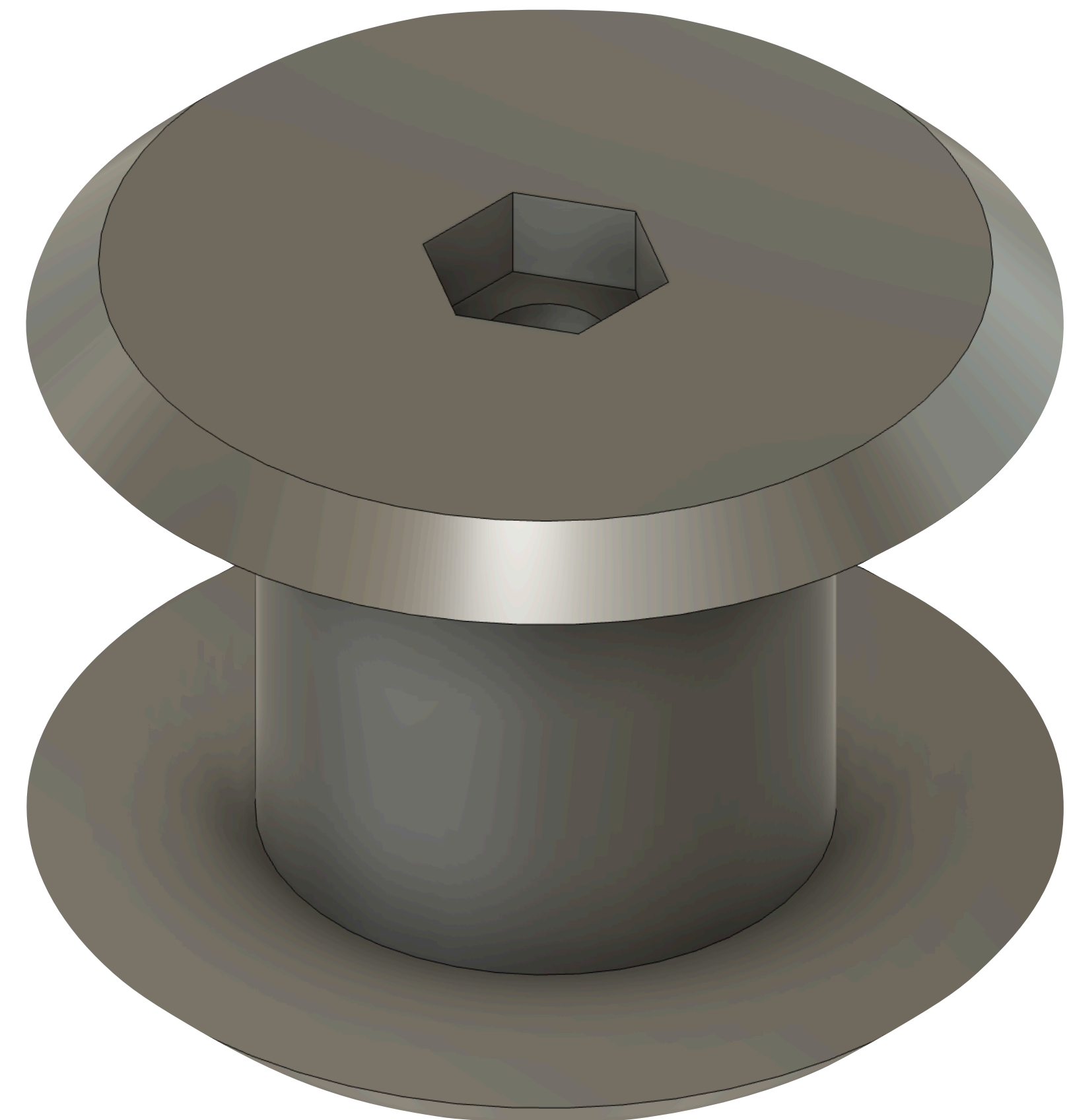
Uses M2 Hex Nuts

M2 & M3 Plate Couplers

Uses M2 or M3 Hex Nut & Screw

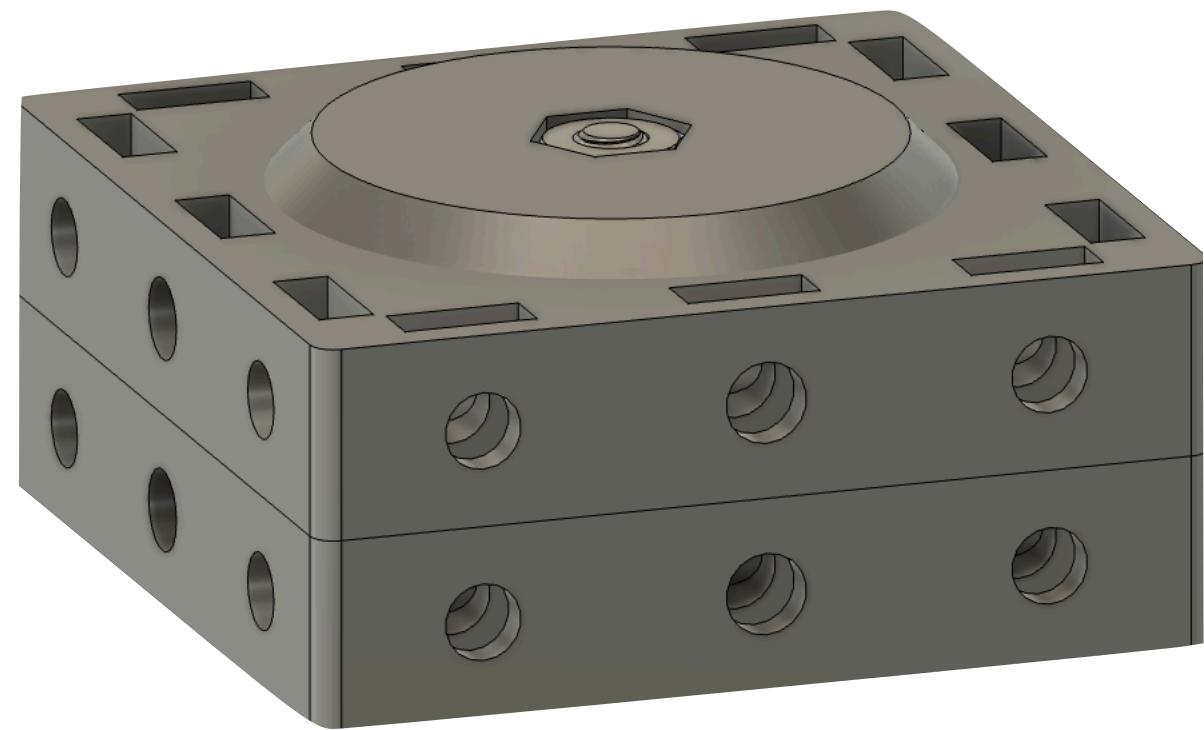


Rigid



Swivel

Assembly: Coupled Truss Plates

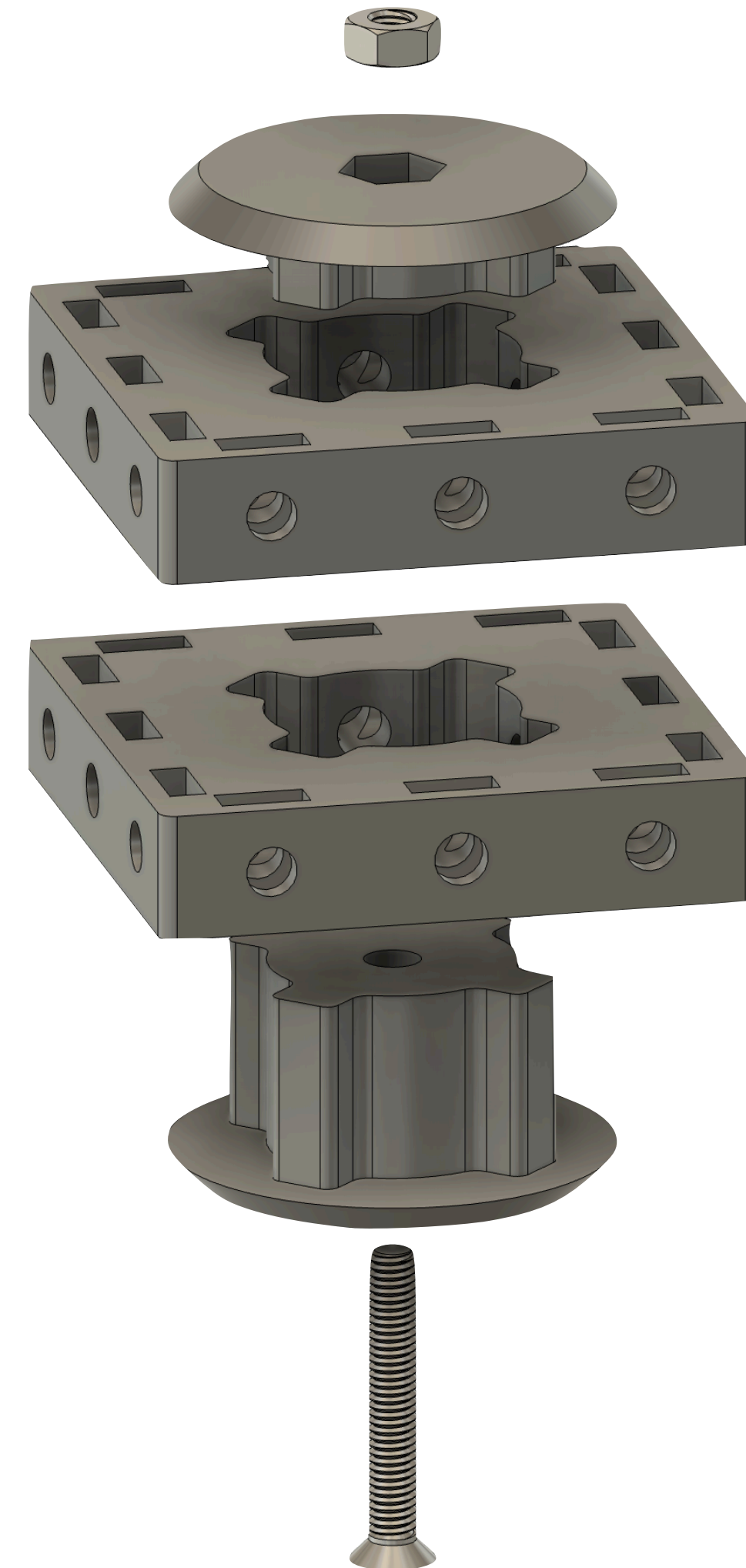


For M3 Plates, use:

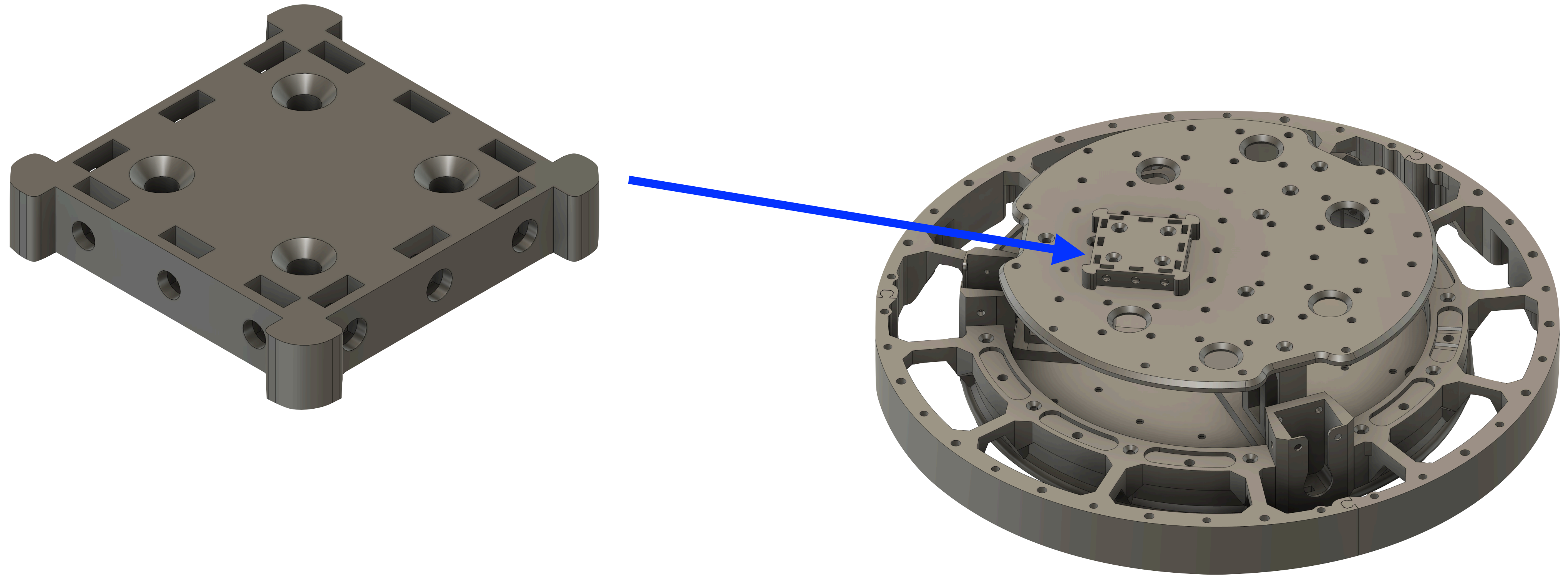
- M3 hex nut
- M3 screw that is ≥ 20 mm in length.

For M2 Plates, use:

- M2 hex nut
- M2 screw that is ≥ 16 mm in length.

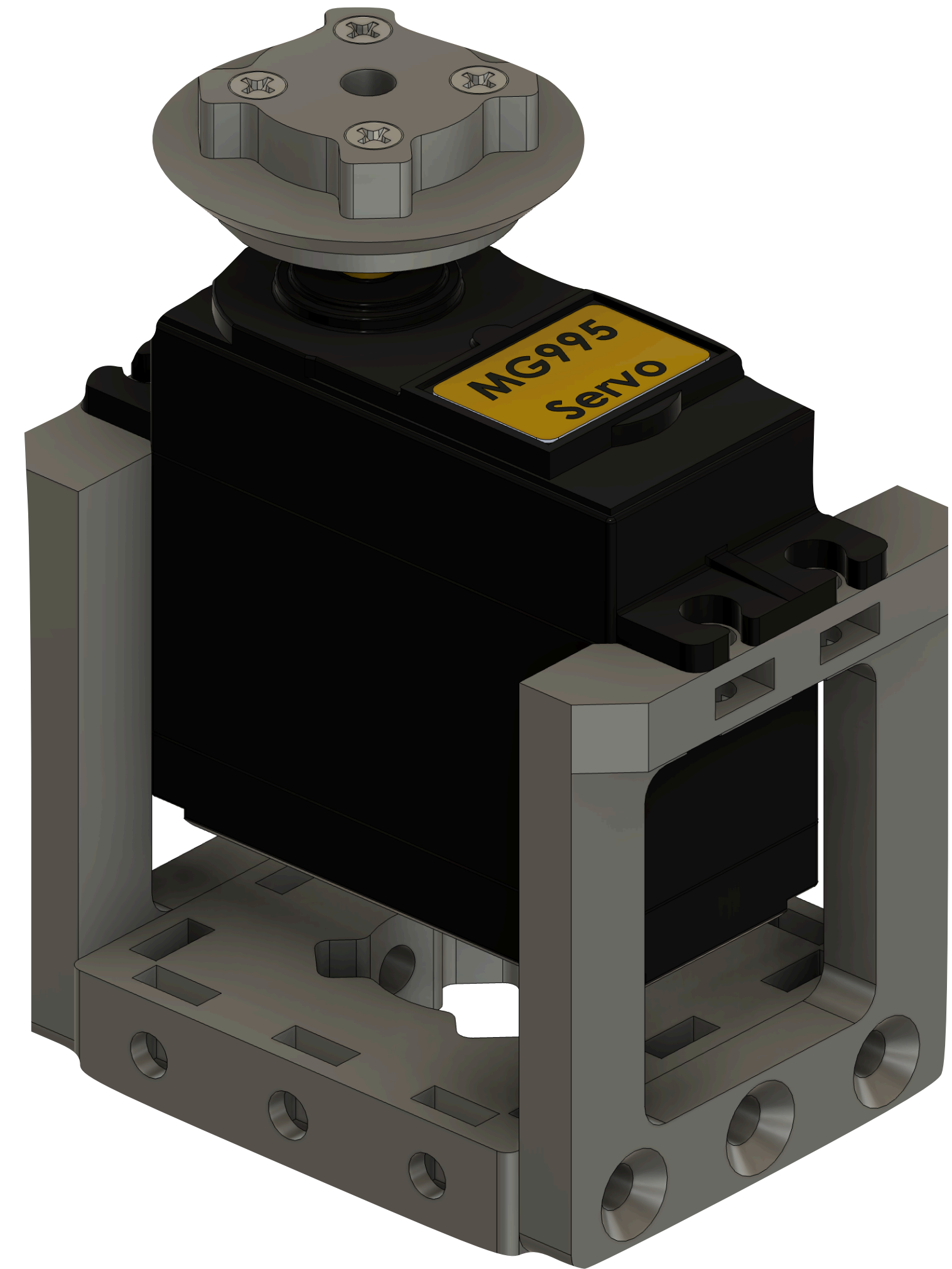
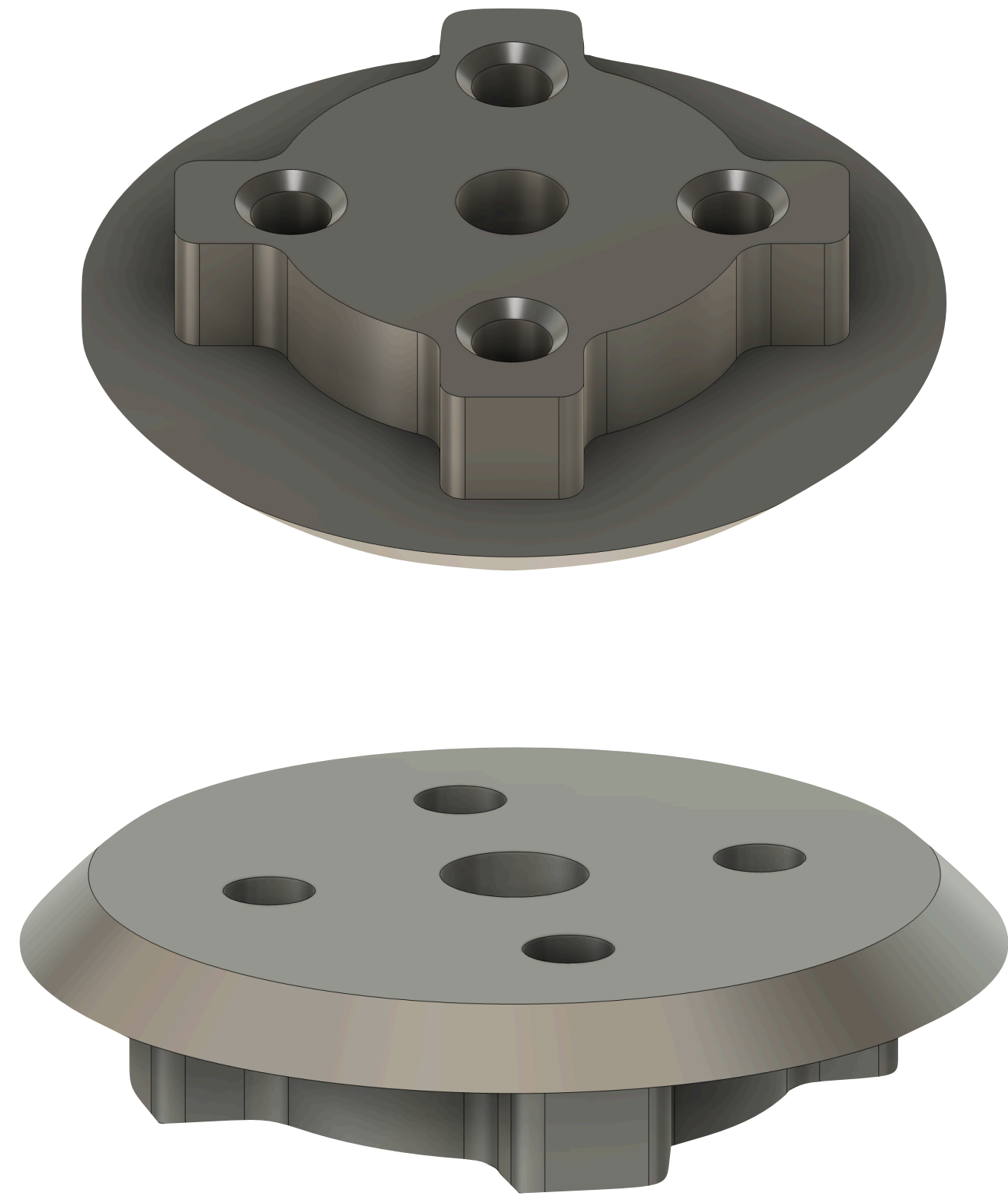


M3 Grid Mount Plate



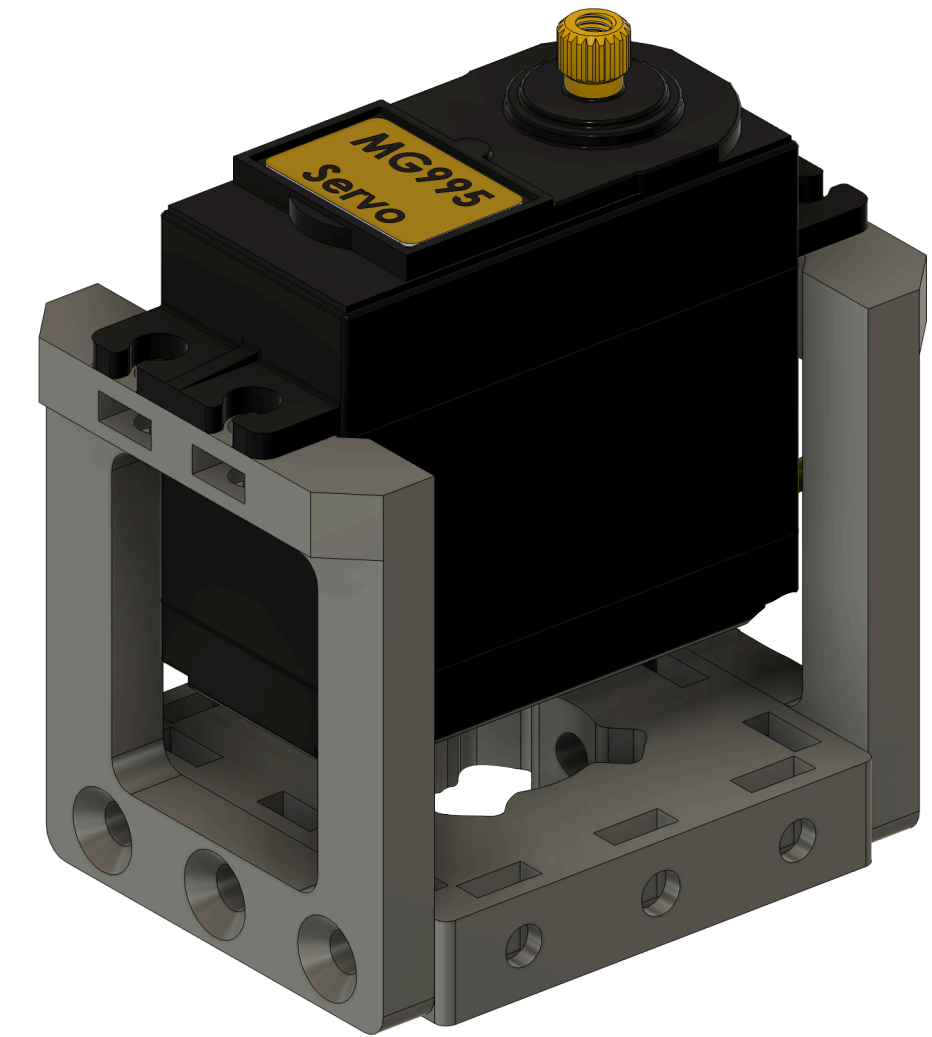
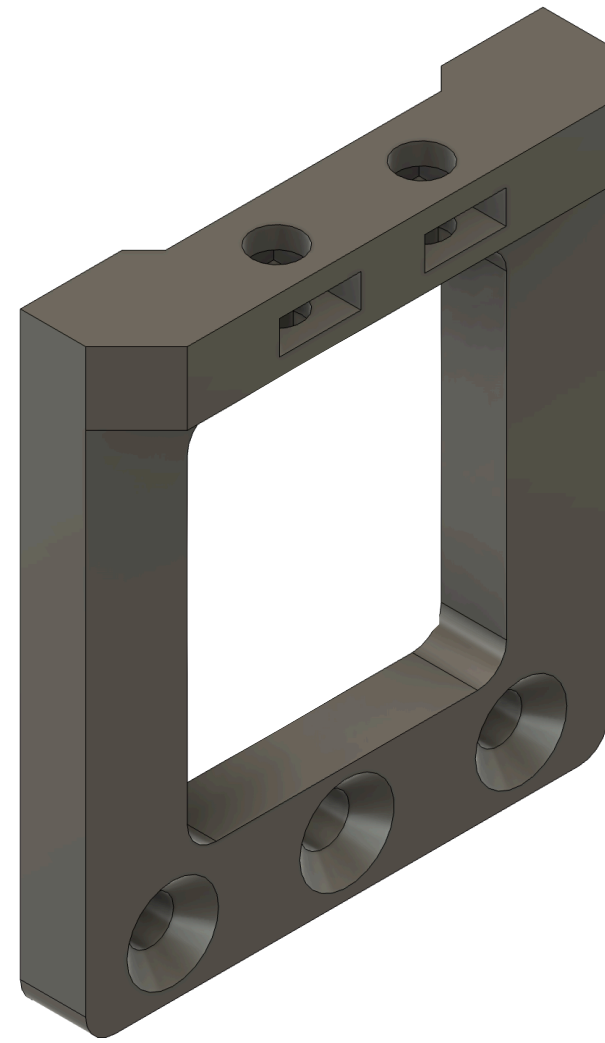
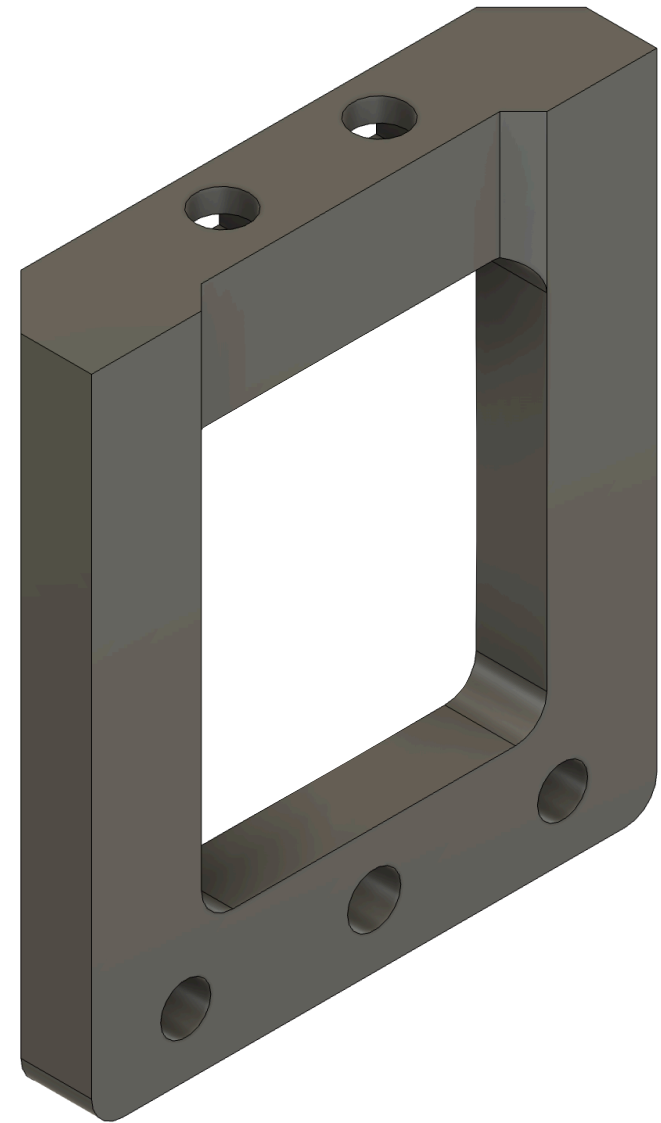
Mounts to the top plate of on robot base.

Servo Rigid Mount Horn



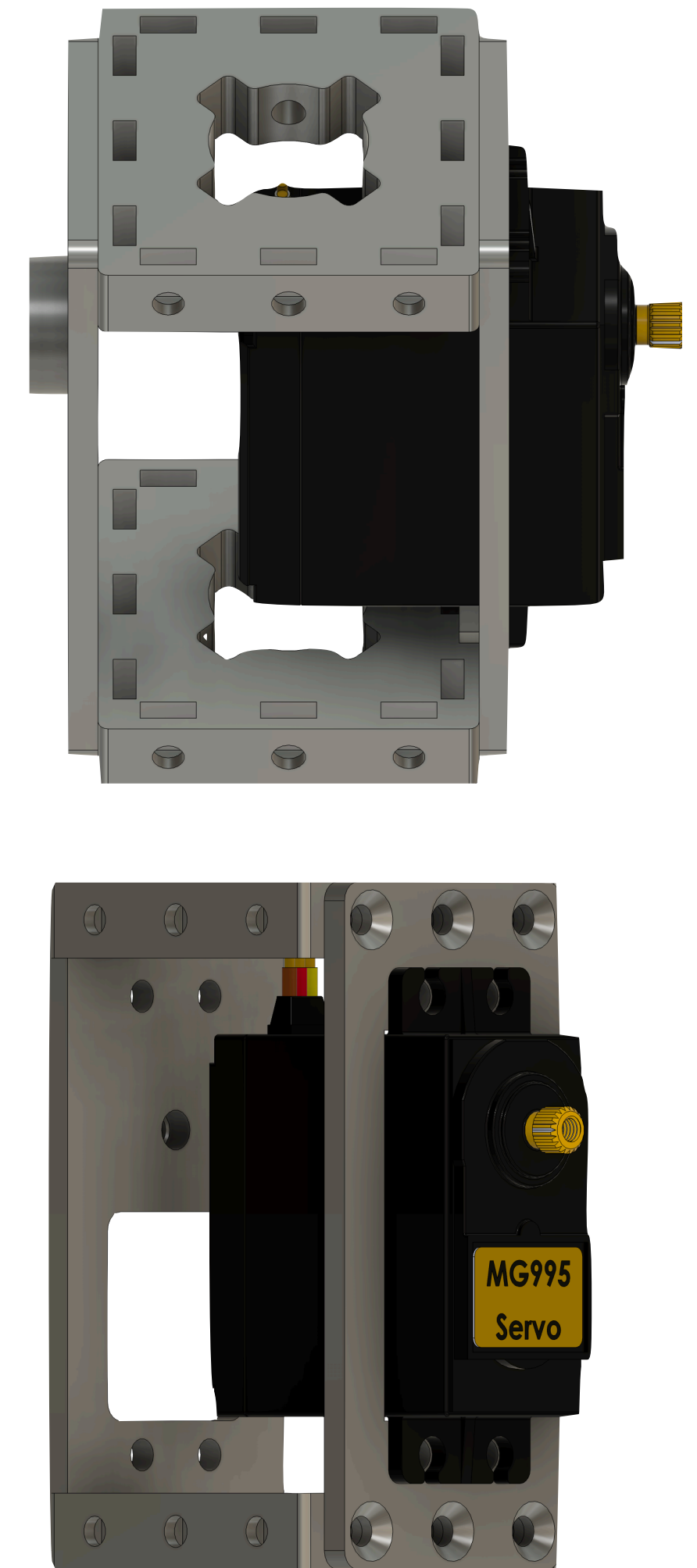
Requires M3 Threaded Insert

Servo Truss Mount



Attached to M3 Truss Plates.

Servo Frame Mount



Attached to M3 Truss Plates.